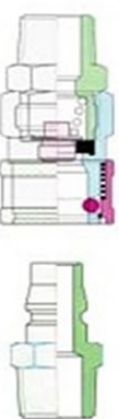


(General-Purpose in lower pressure, single shut-off valve quick coupler)

## FEATURES

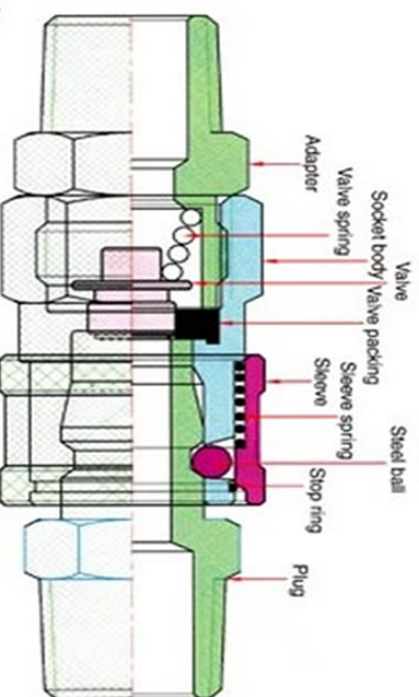
1. When plug insert into socket, the valve of socket opened: when plug be removed, the valve of socket closed, it is not requirement controlling valve when connecting.
2. Female thread, male thread & hose nipple construction suit various ways of connecting.
3. Material: Brass, stainless steel & soft steel.

## DIRECTIONS



- Releasing: When sleeve pulled, s/s ball roll out automatically, plug rebound away by valve spring, hence valve closed automatically for stopping fluid flow.
- Fitting: When plug inserted into socket, valve opened causes fluid flow, sleeve pushed back to original location by sleeve spring causes steel ball locked valve keeping absolutely connecting. Stop ring prevents leaking completely.

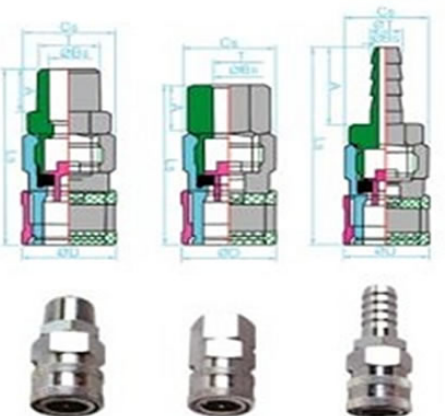
Model	CA-10	CA-20	CA-30	CA-40	CA-400	CA-600	CA-800
Nominal diameter	1/8"	1/4"	3/8"	1/2"	1/2"	3/4"	1"
Material of socket/body	Steel (S-Cr/Brass C3604 (B&M)/Stainless steel SUS)						
Connection method	Socket Plug Female screw/F Male screw/M hose nipple/H						
Working pressure (bar working pressure)	15(20) 10(15) 15(20)						
Valve packing material (bar working pressure)	Nitrile rubber(NBR): -20°C~+80°C Standard Viton(FPM): 20°C~+180°C EPDM: -40°C~+150°C						
Applicable fluid	Air/Oil Air/Water Air/Water						
Use	Pneumatic tool, pneumatic piping, pneumatic machinery, water piping, etc.						



## NOTICES

- It is a single valve design so that direction of flowing must be from socket to plug.
- When connect with vibration tools or machines, connecting with an approximate 30cm long hose between coupler and tool/machine.

Single Shut Off



COMPUTER NO.	PROD. SN	La ØD	Cs	A	T (mm)	ØB	SS41 (SUS)	Mass (g)
A233SCALIA	400PF 83	35	HEX20x37	35	15	10	224	244
A233SCALIA	600SF 87	35	HEX20x37	39	21	14	244	266
A233SCALIA	800SF 90	35	HEX20x37	42	27	19.5	264	287

Series Steel Mark: A233SCALIA Brass Mark: A113SCALIA Soft Steel Mark: A113SCALIA

Coupling Releasing

P + S



Coupling Fitting

P = S



※ Special Specification For Custom-Made

COMPUTER NO.	PROD. SN	La	ØD	Cs	A	T (mm)	ØB	SS41 (SUS)	Mass (g)
A233SCALIA	400PF 68	22.5	35	15	12.5	72	78	72	
A233SCALIA	600PF 72	22.5	25	39	21	12.5	101	110	
A233SCALIA	800PF 75	22.5	30	42	27	12.5	129	140	

COMPUTER NO.	PROD. SN	La	ØD	Cs	A	T (mm)	ØB	SS41 (SUS)	Mass (g)
A233SCALIA	400PF 42	23.5	HEX20x30	12	PT12x14P	12.5	70	76	
A233SCALIA	600PF43	23.5	HEX20x37	15	PT13x14P	12.5	103	113	
A233SCALIA	800PF45	23.5	HEX20x44	15	PT11x1P	12.5	114	124	

COMPUTER NO.	PROD. SN	La	ØD	Cs	A	T (mm)	ØB	SS41 (SUS)	Mass (g)
A233SCALIA	400PF 49	22.5	HEX21x24	16	PT12x14P	12.5	68	74	
A233SCALIA	600PF 51	22.5	HEX27x31	18	PT13x14P	12.5	120	131	
A233SCALIA	800PF 53	22.5	HEX29x40	20	PT11x1P	12.5	195	212	

Max. pressure: 10kg/cm<sup>2</sup>  
Operating temp. range: A233SCALIA=VT ON: -20°C - +180°C  
Purpose: Hydraulic machine, Chemistry, Boat piping, etc.

Brass mark: A0135CALIA > -20°C - +80°C  
Steel mark: A1135CALIA